

# QUAKER WINDOWS PRODUCTS CO. INC.

## SERIES 340(E700) FRAME WITH IMPACT LOUVER INSERT



504 HIGHWAY 63 SOUTH  
FREEBURG, MO 65582  
PH: (651) 264-5150 FX: (651) 264-5485

### INSTALLATION NOTES:

- ONE (1) INSTALLATION ANCHOR IS REQUIRED AT EACH ANCHOR LOCATION SHOWN, UNLESS OTHERWISE STATED.
- THE NUMBER OF INSTALLATION ANCHORS DEPICTED IS THE MINIMUM NUMBER OF ANCHORS TO BE USED FOR PRODUCT INSTALLATION.
- INSTALL INDIVIDUAL INSTALLATION ANCHORS WITHIN A TOLERANCE OF  $\pm 1/16$  INCH OF THE DEPICTED LOCATION IN THE ANCHOR LAYOUT DETAIL (I.E., WITHOUT CONSIDERATION OF TOLERANCES). TOLERANCES ARE NOT CUMULATIVE FROM ONE INSTALLATION ANCHOR TO THE NEXT.
- FOR INSTALLATION INTO METAL STUD, USE ONE #10 SELF-DRILLING SCREW, TYPE INSTALLATION ANCHOR PER LOCATION OF SUFFICIENT LENGTH TO ACHIEVE MINIMUM PENETRATION OF 3 THREADS BEYOND METAL STRUCTURE.
- FOR INSTALLATION INTO 2X WOOD BUCK, USE ONE #10 WOOD SCREW, TYPE INSTALLATION ANCHOR PER LOCATION OF SUFFICIENT LENGTH TO ACHIEVE 1 1/2" MINIMUM EMBEDMENT.
- MINIMUM EMBEDMENT AND EDGE DISTANCE EXCLUDE WALL FINISHES, INCLUDING BUT NOT LIMITED TO STUCCO, FOAM, BRICK VENEER, AND SIDING.
- INSTALLATION ANCHORS AND ASSOCIATED HARDWARE MUST BE MADE OF CORROSION RESISTANT MATERIAL OR HAVE A CORROSION RESISTANT COATING.
- INSTALLATION ANCHORS SHALL BE INSTALLED IN ACCORDANCE WITH ANCHOR MANUFACTURER'S INSTALLATION INSTRUCTIONS, AND ANCHORS SHALL NOT BE USED IN SUBSTRATES WITH STRENGTHS LESS THAN THE MINIMUM STRENGTH SPECIFIED BY THE ANCHOR MANUFACTURER.
- INSTALLATION ANCHOR CAPACITIES FOR PRODUCTS HEREIN ARE BASED ON SUBSTRATE MATERIALS WITH THE FOLLOWING PROPERTIES:
  - ALUMINUM - MIN. 6063-T5, MIN. 1/8" THICKNESS. MIN. 1/2" EDGE DISTANCE.
  - STEEL - MIN. TENSILE YIELD STRENGTH OF 36 KSI, ULTIMATE TENSILE STRENGTH OF 58 KSI. MIN. 18 GAUGE THICKNESS (0.0478"). MIN 1/2" EDGE DISTANCE.
  - WOOD - MINIMUM SPECIFIC GRAVITY = 0.42

### GENERAL NOTES:

- THE PRODUCT SHOWN HEREIN IS DESIGNED AND MANUFACTURED TO COMPLY WITH THE 2009 IBC, IRC, AND 2010 FLORIDA BUILDING CODE, EXCLUDING HVHZ, AND HAS BEEN EVALUATED TO THE FOLLOWING.
  - AAMA 450-00
  - ASTM E330-97
  - ASTM E1886-02
  - ASTM E1996-02
- ADEQUACY OF THE EXISTING STRUCTURAL 2X WOOD FRAMING, ALUMINUM, OR STEEL STUD FRAMING AS A MAIN WIND FORCE RESISTING SYSTEM CAPABLE OF WITHSTANDING AND TRANSFERRING APPLIED PRODUCT LOADS TO THE FOUNDATION IS THE RESPONSIBILITY OF THE ENGINEER OR ARCHITECT OF RECORD FOR THE PROJECT OF INSTALLATION.
- THE INSTALLATION DETAILS DESCRIBED HEREIN ARE GENERIC AND MAY NOT REFLECT ACTUAL CONDITIONS FOR A SPECIFIC SITE. IF SITE CONDITIONS CAUSE INSTALLATION TO DEVIATE FROM THE REQUIREMENTS DETAILED HEREIN, A LICENSED ENGINEER OR ARCHITECT SHALL PREPARE SITE SPECIFIC DOCUMENTS FOR USE WITH THIS DOCUMENT IN NON-HVHZ AREA.
- APPROVED IMPACT PROTECTIVE SYSTEM **IS NOT REQUIRED** TO PROTECT THIS PRODUCT IN AREAS REQUIRING IMPACT RESISTANCE.
- FRAME MATERIAL: 6063-T6 ALUMINUM
- PTAC OPENING FOR VENTILATION MAY BE LOCATED AT LEFT, RIGHT, OR CENTER WITH OPTIONAL FULL BLANK-OFF PANEL.

TABLE OF CONTENTS		
SHEET	REVISION	SHEET DESCRIPTION
1	-	INSTALLATION AND GENERAL NOTES
2	-	ELEVATION & ANCHOR LAYOUTS
3	-	VERTICAL SECTIONS
4	-	HORIZONTAL SECTIONS
5	-	BILL OF MATERIALS & COMPONENTS

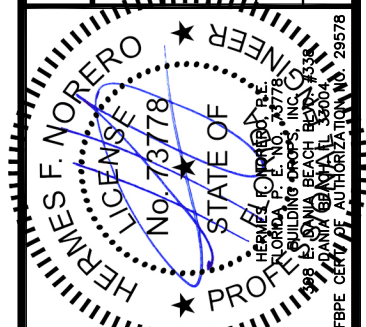
*MAX. DESIGN PRESSURE RATING	
+50.0 / -50.0 PSF	LARGE & SMALL MISSILE IMPACT RATED

### \*NOTE:

- LOUVERS SYSTEM IS TO BE INSTALLED IN A LOCATION WHERE THE COMPARTMENT BEHIND LOUVERS IS DESIGNED TO DRAIN WATER PENETRATING INTO THE AREA, OR THE AREA WILL HOUSE WATER RESISTANT/WATER-PROOF EQUIPMENT, COMPONENTS, OR SUPPLIES.
- DEFLECTORS ARE TO DIRECT INTAKES & EXHAUST FOR P.T.A.C. INSTALLED IN WINDOW SLEEVE BEYOND. THEY HAVE NO EFFECT ON STRUCTURAL INTEGRITY OF LOUVER DESIGN

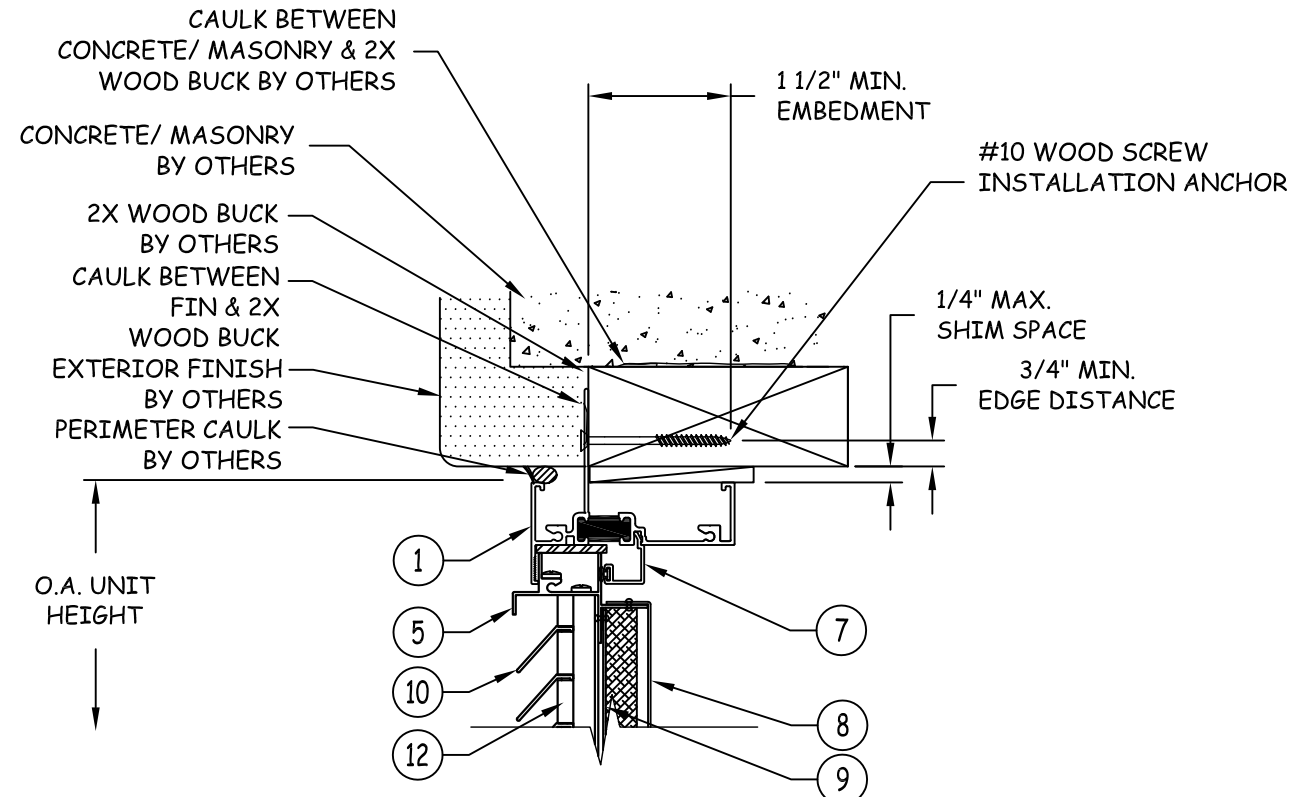
TITLE: SERIES 340(E700) FRAME WITH IMPACT LOUVER INSERT  
INSTALLATION AND GENERAL NOTES  
PREPARED BY:  
BUILDING DROPS, INC.  
398 E. DANIA BEACH BLVD. #338  
DANIA BEACH, FL 33004  
PH: (954) 399-8478 FX: (954) 744-4738

REVISIONS	DESCRIPTION	BY	DATE
		NO.	

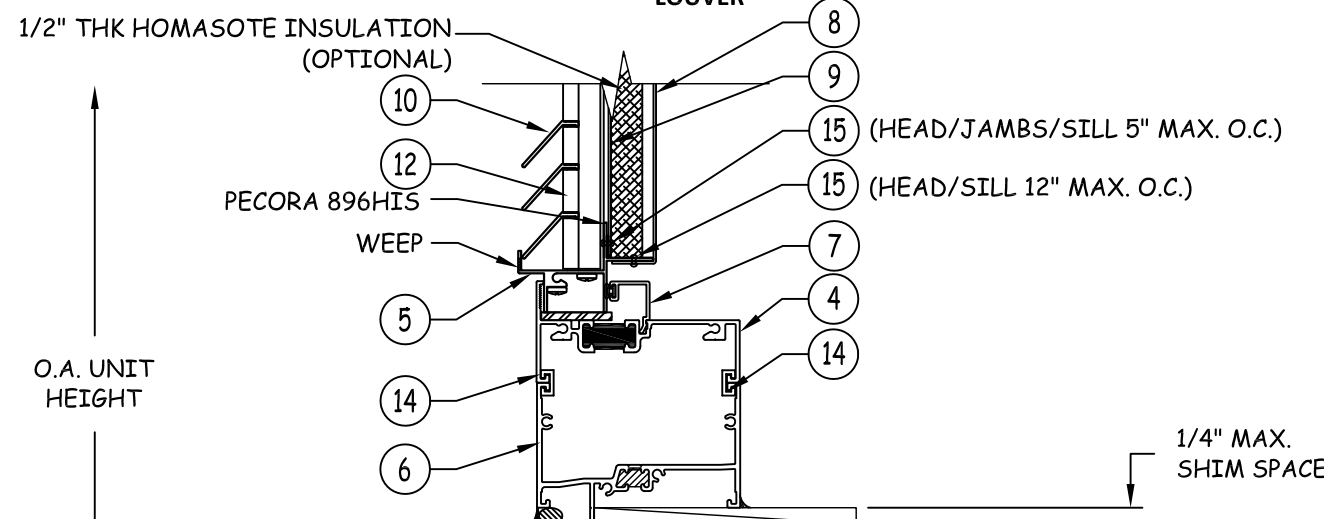


DATE: 07.17.12  
DWN BY: MSS  
CHK BY: HFN  
SCALE: NTS  
DWG #: QWP011  
SHEET: 1 OF 5

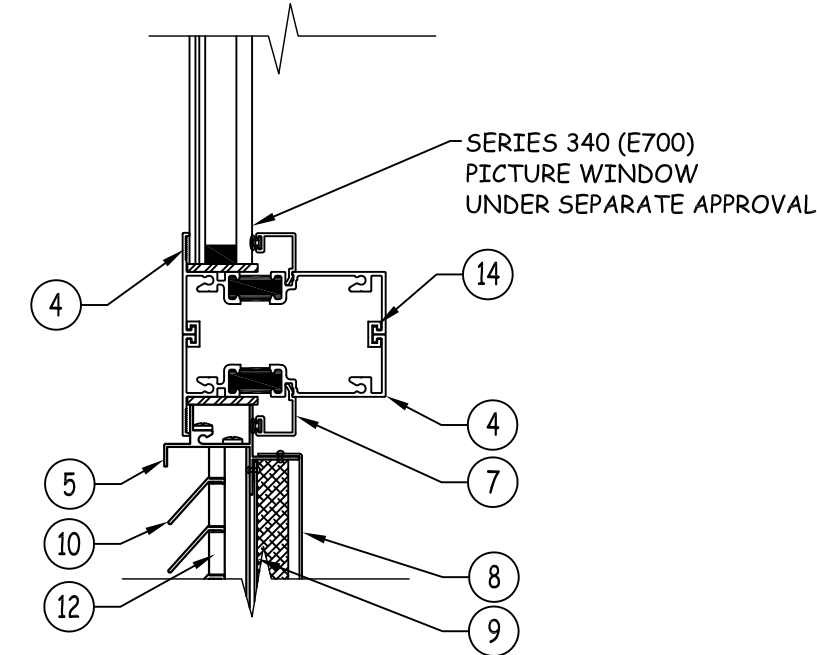




**A**  
**3** VERTICAL SECTION  
HEAD - 2X WOOD BUCK  
LOUVER



**B**  
**3** VERTICAL SECTION  
SILL - METAL STUD  
LOUVER

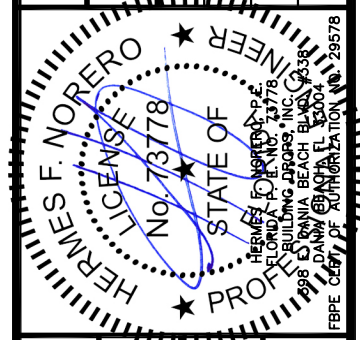


**C**  
**3** VERTICAL SECTION  
MULLION  
PICTURE WINDOW/LOUVER

TITLE: SERIES 340(E700) FRAME  
WITH IMPACT LOUVER INSERT  
VERTICAL SECTIONS

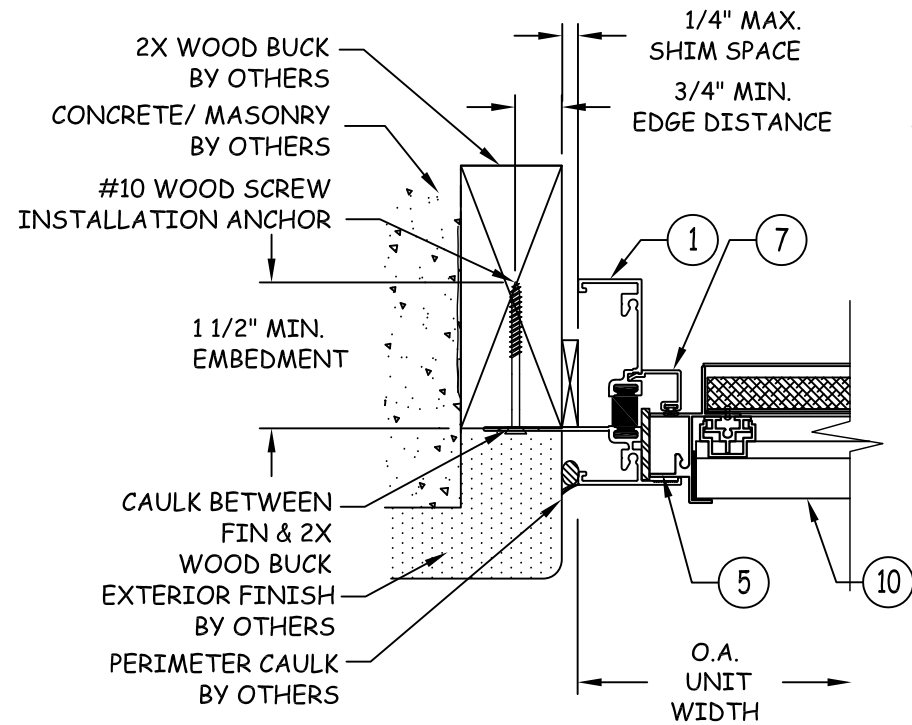
PREPARED BY:  
BUILDING DROPS, INC.  
398 E. DANIA BEACH BLVD. #338  
DANIA BEACH, FL 33004  
PH: (954) 399-8478 FX: (954) 744-4738

NO.	REVISIONS	DESCRIPTION	BY	DATE

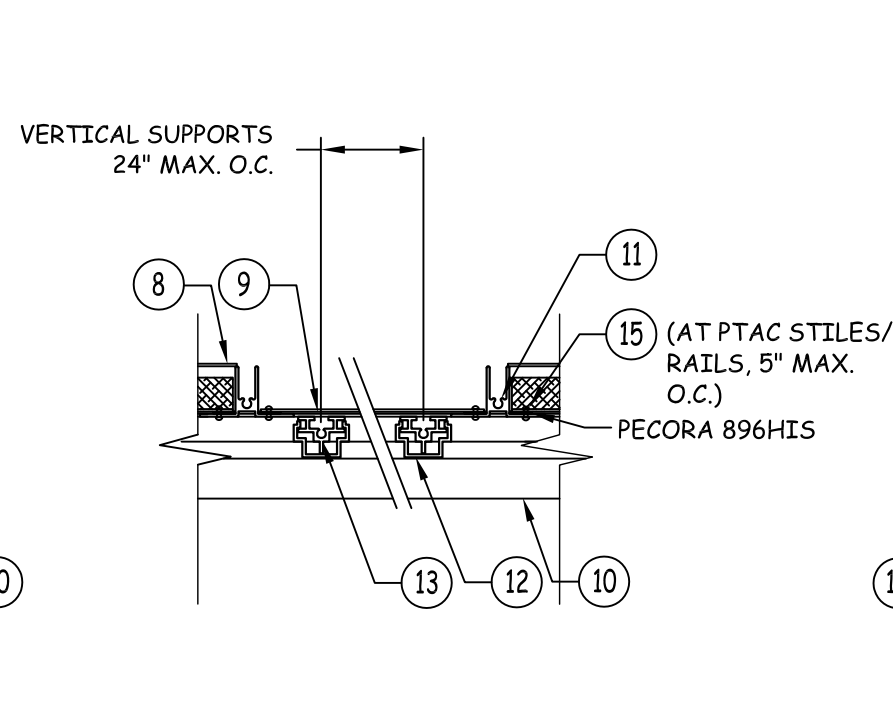


DATE: 07.17.12  
DWN BY: MSS  
CHK BY: HFN  
SCALE: NTS

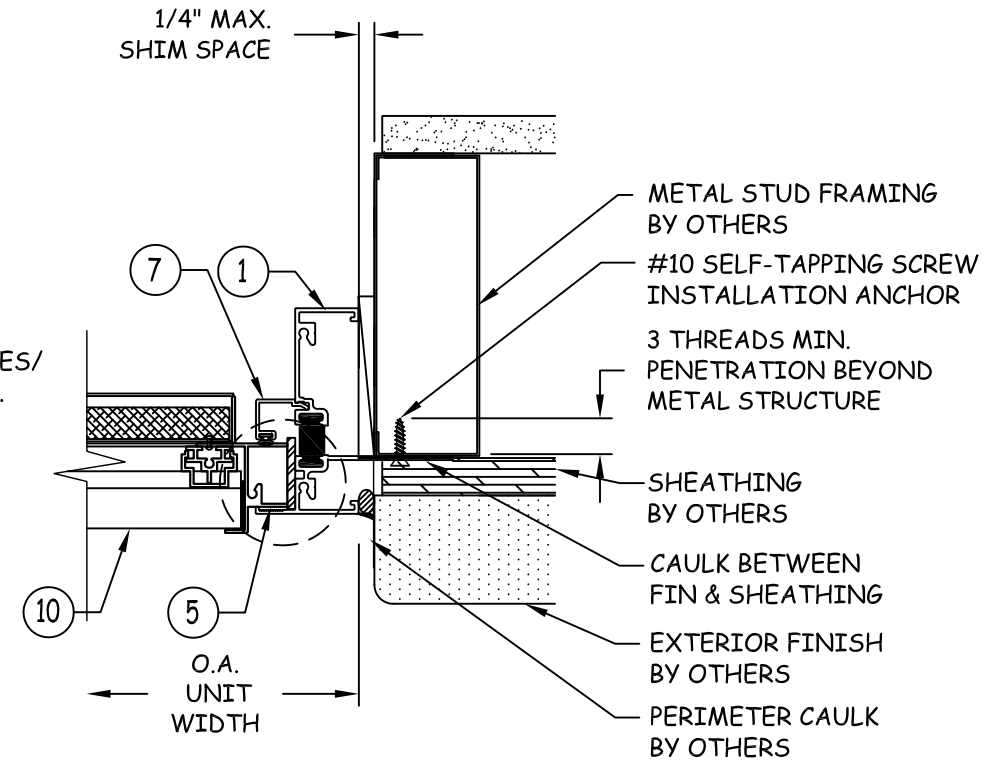
DWG #: **QWP011**  
SHEET: **3 OF 5**



**D** HORIZONTAL SECTION  
**4** JAMB - 2X WOOD BUCK LOUVER



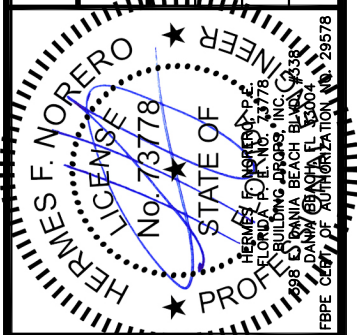
**E** HORIZONTAL SECTION  
**4** VERTICAL SUPPORTS LOUVER



**F** HORIZONTAL SECTION  
**4** JAMB - METAL STUD LOUVER

TITLE: SERIES 340(E700) FRAME WITH IMPACT LOUVER INSERT HORIZONTAL SECTIONS  
PREPARED BY: BUILDING DROPS, INC. 398 E. DANIA BEACH BLVD. #338 DANIA BEACH, FL 33004  
PH: (954) 399-8478 FX: (954) 744-4738

REVISIONS	
NO.	DESCRIPTION

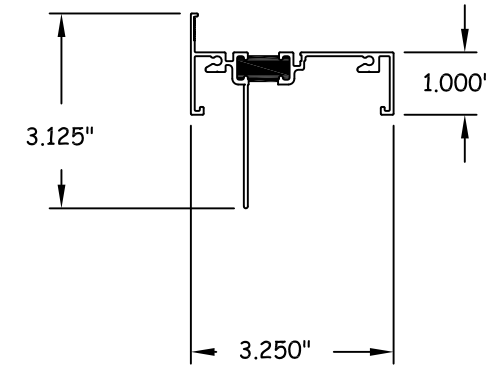


DATE:	DWN BY:	CHK BY:	SCALE:
07.17.12	MSS	HFN	NTS

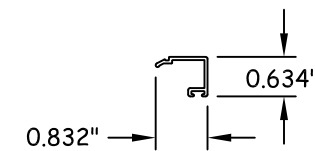
DWG #: **QWP011**  
SHEET: **4 OF 5**

BILL OF MATERIALS			
NO.	DESCRIPTION	MATERIAL	MANUFACTURER
1	FRAME - HEAD/SILL/JAMB	ALUMINUM 6063-T6	QUAKER
2	GLAZING STOP	ALUMINUM 6063-T6	QUAKER
3	---	---	---
4	MULLED FRAME	ALUMINUM 6063-T6	QUAKER
5	LOUVER FRAME	ALUMINUM 6063-T6	QUAKER
6	LOUVER SUB-SILL W/ FIN	ALUMINUM 6063-T6	QUAKER
7	LOUVER STOP	ALUMINUM 6063-T6	QUAKER
8	BLANK-OFF PANEL - INBOARD SKIN	24 GA. GALV. STEEL	QUAKER
9	BLANK-OFF PANEL - OUTBOARD SKIN	16 GA. GALV. STEEL	QUAKER
10	LOUVER BLADES	ALUMINUM 6063-T6	QUAKER
11	PTAC MEETING RAIL/STILES	ALUMINUM 6063-T6	QUAKER
12	VERTICAL STRUT	ALUMINUM 6063-T6	QUAKER
13	VERTICAL STRUT BACKER	ALUMINUM 6063-T6	QUAKER
14	C-MULL	ALUMINUM 6063-T6	QUAKER
15	3/16" POP-RIVETS	-	-
16	CENTER BAR BRACKET	-	-
17	SASH LOCK	-	-
18	LATCH BOLT	-	-
19	GLAZING STOP WEATHER STRIP	-	-

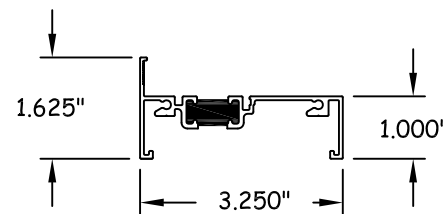
1 FRAME- HEAD/SILL/JAMB  
6063-T6 ALUMINUM  
TYPICAL WALL THICKNESS: 0.062"



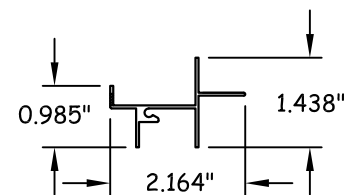
2 JAMB GLAZING STOP  
6063-T6 ALUMINUM  
TYPICAL WALL THICKNESS: 0.062"



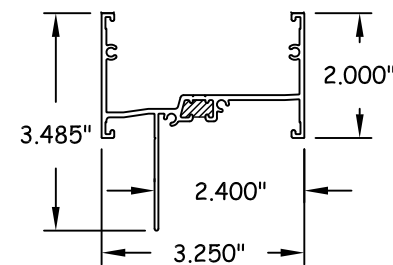
4 MULLED FRAME  
6063-T6 ALUMINUM  
TYP. WALL THICKNESS: 0.062"



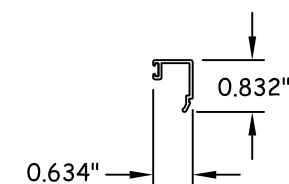
5 LOUVER FRAME  
6063-T6 ALUMINUM  
TYP. WALL THICKNESS: 0.062"



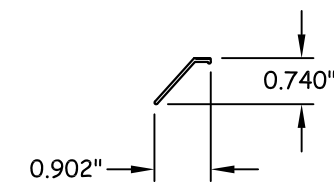
6 LOUVER SUB-SILL W/ FIN  
6063-T6 ALUMINUM  
TYP. WALL THICKNESS: 0.062"



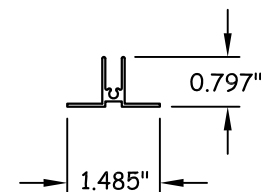
7 LOUVER STOP  
6063-T6 ALUMINUM  
TYP. WALL THICKNESS: 0.062"



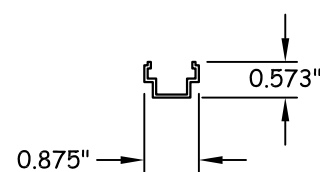
10 LOUVER BLADES  
6063-T6 ALUMINUM



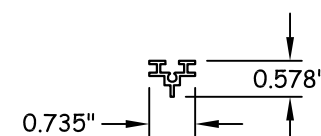
11 PTAC MEETING RAIL/STILE  
6063-T6 ALUMINUM  
TYP. WALL THICKNESS: 0.047"



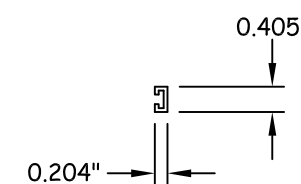
12 VERTICAL STRUT  
6063-T6 ALUMINUM  
TYP. WALL THICKNESS: 0.055"



13 VERTICAL STRUT BACKER  
6063-T6 ALUMINUM  
TYP. WALL THICKNESS: 0.055"



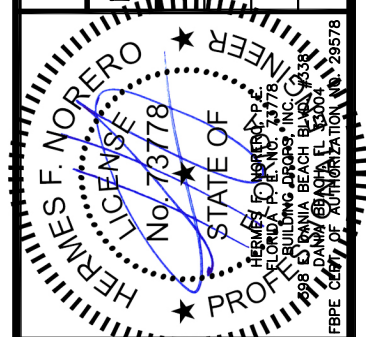
14 C-MULL  
6063-T6 ALUMINUM  
TYP. WALL THICKNESS: 0.062"



504 HIGHWAY 63 SOUTH  
FREEBURG, MO 65582  
PH: (651) 264-5150 FX: (651) 264-5485

TITLE: SERIES 340(E700) FRAME  
WITH IMPACT LOUVER INSERT  
BILL OF MATERIALS  
& COMPONENTS  
PREPARED BY:  
BUILDING DROPS, INC.  
398 E. DANIA BEACH BLVD. #338  
DANIA BEACH, FL 33004  
PH: (954) 399-8478 FX: (954) 744-4738

REVISIONS	DESCRIPTION	BY	DATE



DATE: 07.17.12  
DWN BY: MSS  
CHK BY: HFN  
SCALE: NTS

DWG #: QWP011  
SHEET: 5 OF 5